



Norwolf Tool Works, Inc.

6 Sullivan Street, Westwood, NJ 07675

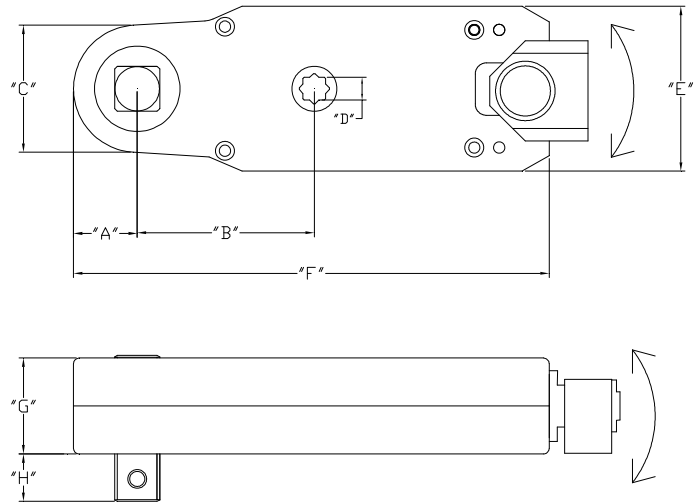
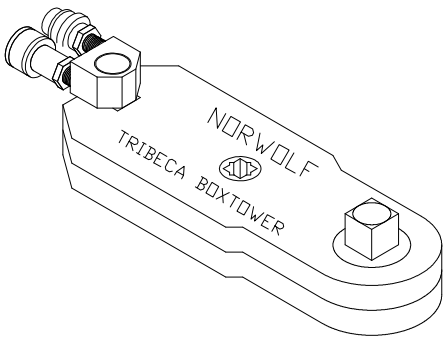
Telephone: (201)666-6655

Fax: (201)666-7611

www.norwolf.com

BOXTOWER™ SERIES

SQUARE DRIVE



BOXTOWER									
SQUARE DRIVE SERIES									
PART NO.	SQ. DR.	"A"	"B"	"C"	"D"	"E"	"F"	"G"	"H"
BXT-1	3/4"	1.06"	2.95"	2.12"	.38"	2.75"	7.93"	1.60"	.79"
BXT-1: MAXIMUM TORQUE: 1360 FT. LBS. @ 10K PSI									
PART NO.	SQ. DR.	"A"	"B"	"C"	"D"	"E"	"F"	"G"	"H"
BXT-3	1"	1.42"	3.94"	2.83"	.50"	3.67"	10.57"	2.13"	1.06"
BXT-3: MAXIMUM TORQUE: 3,220 FT. LBS. @ 10K PSI									
PART NO.	SQ. DR.	"A"	"B"	"C"	"D"	"E"	"F"	"G"	"H"
BXT-6	1-1/2"	1.77"	4.92"	3.53"	.62"	4.58"	13.21"	2.67"	1.32"
BXT-6: MAXIMUM TORQUE: 6,292 FT. LBS. @ 10K PSI									
PART NO.	SQ. DR.	"A"	"B"	"C"	"D"	"E"	"F"	"G"	"H"
BXT-10	1-1/2"	2.13"	5.90"	4.24"	.75"	5.50"	15.86"	3.20"	1.59"
BXT-10: MAXIMUM TORQUE: 10,872 FT. LBS. @ 10K PSI									
PART NO.	SQ. DR.	"A"	"B"	"C"	"D"	"E"	"F"	"G"	"H"
BXT-25	2-1/2"	2.84"	7.87"	5.65"	1"	7.33"	21.14"	4.27"	2.11"
BXT-25: MAXIMUM TORQUE: 25,770 FT. LBS. @ 10K PSI									