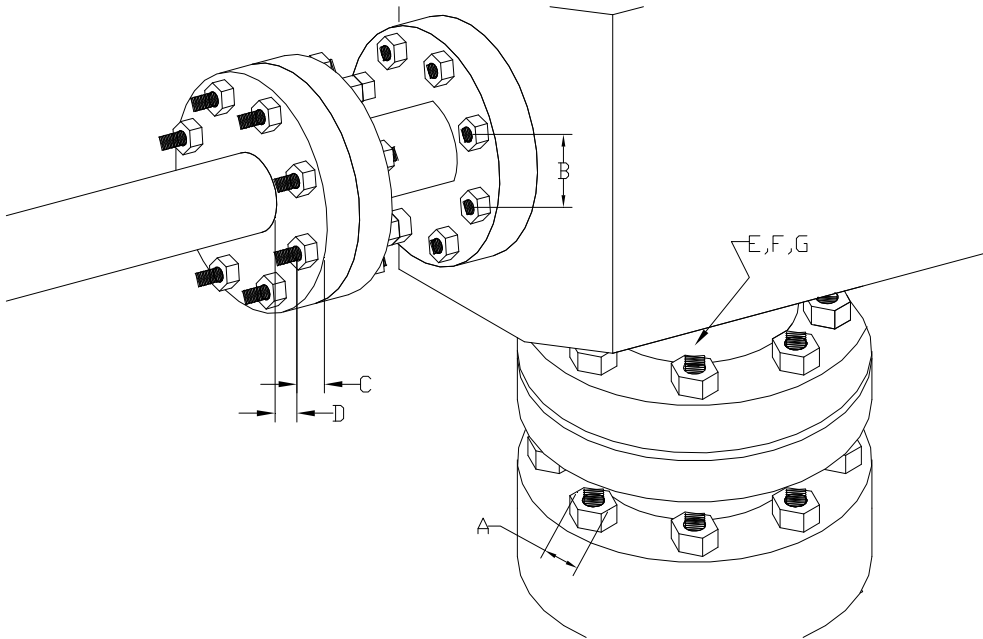


# Norwolf Tool Works, Inc.

6 Sullivan Street, Westwood, NJ 07675  
 Telephone: (201)666-6655 Fax: (201)666-7611  
 www.norwolf.com

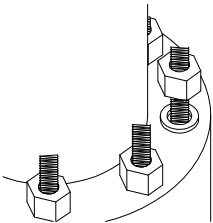


## APPLICATION DATA SHEET



- A. SIZE OF NUT FROM FLAT TO FLAT \_\_\_\_\_
- B. CENTER OF BOLT TO CENTER OF NEXT BOLT \_\_\_\_\_
- C. CENTER OF BOLT TO EDGE OF FLANGE \_\_\_\_\_
- D. CENTER OF BOLT TO INSIDE PIPE \_\_\_\_\_
- E. VERTICAL CLEARANCE ABOVE STUD \_\_\_\_\_
- F. DIAMETER OF STUD \_\_\_\_\_
- G. LENGTH OF STUD ABOVE NUT \_\_\_\_\_
- H. APPROXIMATE TORQUE/TENSION REQ'D \_\_\_\_\_

WASHER, IF APPLICABLE



- A. WASHER THICKNESS \_\_\_\_\_
- B. WASHER DIAMETER \_\_\_\_\_
- C. SPOTFACE DEPTH \_\_\_\_\_
- D. SPOTFACE DIAMETER \_\_\_\_\_

*“Serving Today’s Industry with Tomorrow’s Technology”*